



□□□□	270□□*72□□
□□	□□□□□□□□
□□□□	2□
□	200□
□□□□	100□
□□□□□□	□□147mm * 22mm
□□□□	□□□
□□	4□AA□□
□□□□	□□□□USB□□□□□□□□□□
□□	□□□□□□□□□□□□□□□□
□□□□	□□□□□□□□□□

□□ □□



Fingerprint



Card



Key



www.mvt.com





Free-Style Handle  
Drop-down(open)/Drop-up(lock)

USB charging interface

Hidden keyhole

## Multi-Color Selection



Titanium gray



Silver

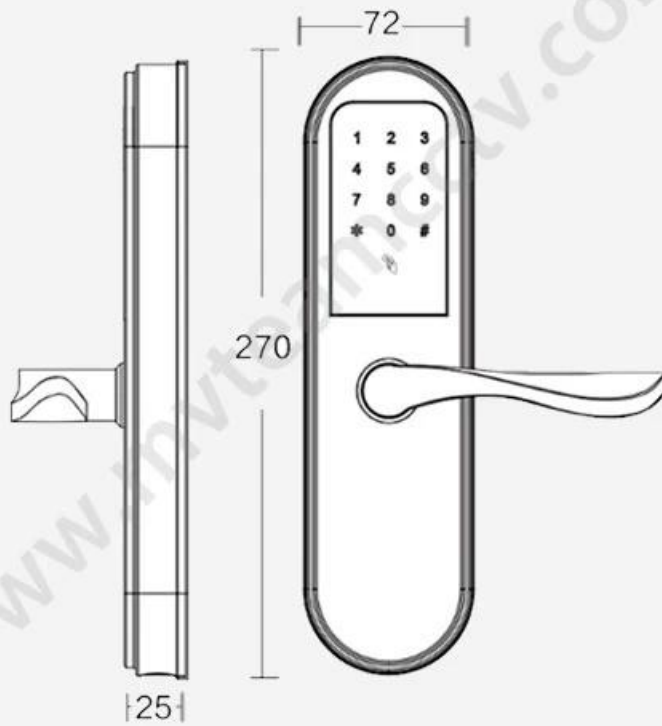


Gold

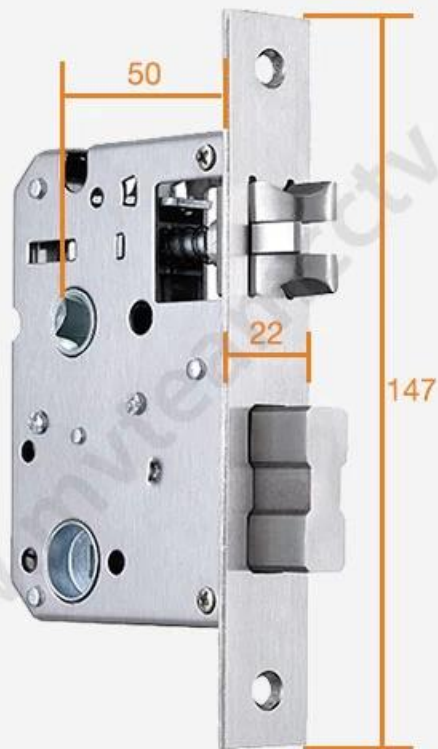


Red bronze

### Lock Panel Size



### Lock Mortise Size



Unit: mm



## Power Supply

4 x AA(5 alkaline) batteries,  
6 months & 180000 times using.

## USB Charge

With backup USB port for  
emergency charging.



Warmly notice:

Due to international shipping problem, we will not deliver batteries come with locks.  
Please buy 4 section 5-Alkaline batteries by yourself from local market.



## Package & Accessories



# Door Opening Direction



Left Handle



Right handle

## Matters needing attention:

There are 4 door types as below drawing showing, Please let us know:

- 1.what types of the doors?
- 2.how many quantity per each type?



A

Left Handle (push)



B

Right Handle (Push)



C

Left Handle (pull)



D

Right Handle (Pull)

A: left handle push the door to enter the room.

B: left handle pull the door to enter room.

C: right handle push the door to enter the room.

D: right handle pull the door to enter the room.

Are there heaven and earth hook of the door?



How to check?

1. Touch the top edge of the door to check if there are lock holes.
2. When the door lock is in pop up status, check whether there are lock tongues pops out on the top edge of the door.

With bolt     No bolt

