

APP WiFi NFC RFID

M TEAM

Bluetooth Smart Door Lock with Free APP



MTEAM



M'TEAM

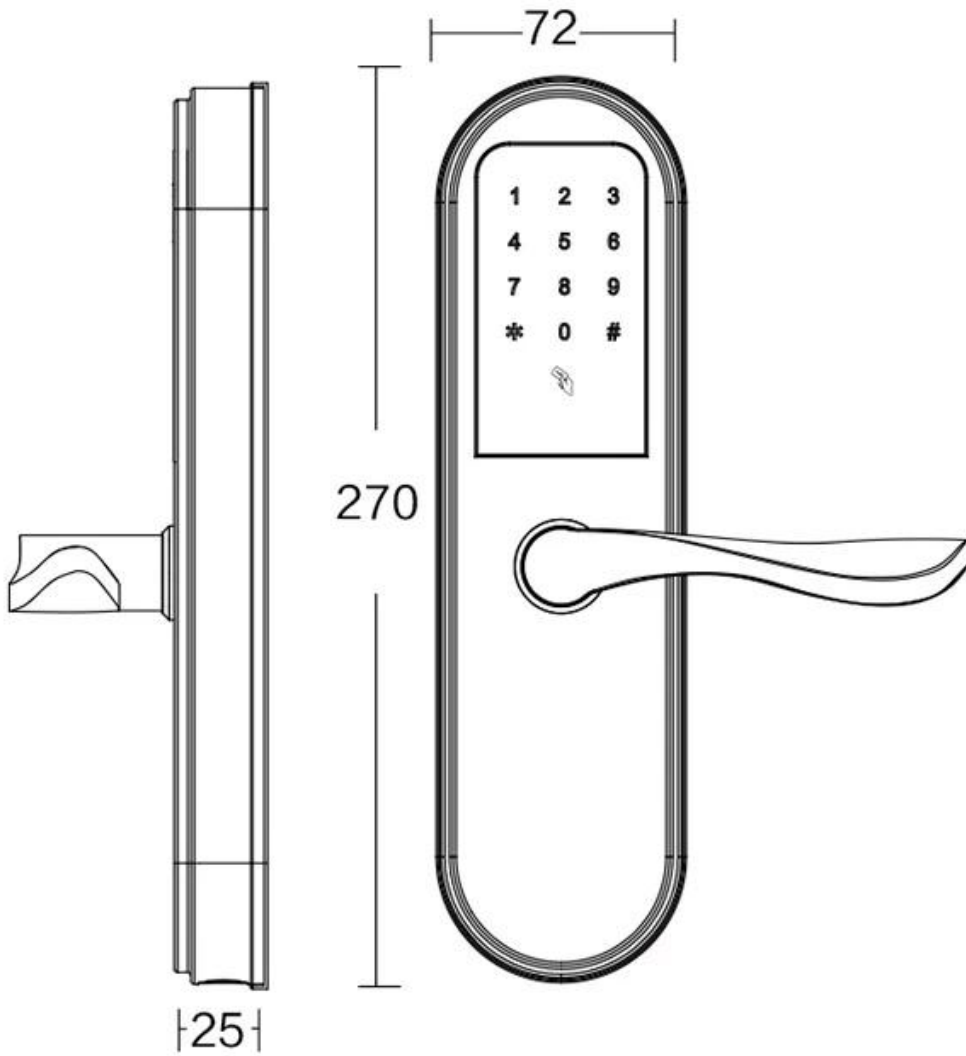


M'TEAM



M'TEAM





Remote Unlock

Jenny, I forgot the password again.



Don't worry, I'll send a new password to your mobile phone.



1- APP□□□□□□□□□□/□□□□□□□□

2-□□□300 * 76mm

3-□□□□□50□

4-□□□200□

5-□□□□□□□□

6-□□□□□4□AA□□

7-□□□□□C□□□□+□□□□□□

8-APP

9-APP

10- /

	C7-MKA
	300 *76
	APP
	50
	200
	C
	147mm * 22mm
	4AA
	USB
	/

Lock Mortise Size



Unit:mm

Door Opening Direction



Left Handle



Right handle

Matters needing attention:

There are 4 door types as below drawing showing, Please let us know:

- 1.what types of the doors?
- 2.how many quantity per each type?



A

Left Handle (push)



B

Right Handle (Push)



C

Left Handle (pull)



D

Right Handle (Pull)

A: left handle push the door to enter the room.

B: left handle pull the door to enter room.

C: right handle push the door to enter the room.

D: right handle pull the door to enter the room.

Are there heaven and earth hook of the door?



How to check?

1. Touch the top edge of the door to check if there are lock holes.
2. When the door lock is in pop up status, check whether there are lock tongues pops out on the top edge of the door.

With bolt No bolt

Measurement



- A Lock side bar length
- B Lock side bar width
- C Door thickness
- D Door frame bar width
- E Door frame bar length

Please send above measurement data to us.
We will recommend the correct locks to you.

□□□□

□□ □□ □ □□ □ □ □□ □□ □ □□□

□□□□□□□□□□□□□□□□□□ □□□□□

□□□□24□□□□□□□□□□□□□□□□□□□□