

2015 Newest Products

HyBrid AHD Camera

- ◆ 4-in-1 Hybrid
- ◆ TVI/CVI/AHD/CVBS
- ◆ Low Price, 720P HD

4-in-1 Hybrid Waterproof 720P AHD Camera
www.mvteamcctv.com



M'TEAM

4-in-1 Hybrid Waterproof 720P AHD Camera
www.mvteamcctv.com



M'TEAM

4-in-1 Hybrid Varifocal 720P AHD Camera
www.mvteamcctv.com



M'TEAM

1080P AHD Camera

- ◆ Real Time Display
- ◆ High Cost Effective
- ◆ Plug and Play

Varifocal 720P/1024P/1080P HD AHD Camera
Lens 9.0-22mm, IR 60m
www.mvteamcctv.com



M'TEAM

720P/1024P/1080P
Lens 6.0mm, IR 36m
www.mvteamcctv.com



M'TEAM

720P/1024P/1080P HD AHD Dome Camera
Lens 6.0mm, Led Array
www.mvteamcctv.com



M'TEAM

HD Hybrid DVR

- ◆ AHD/IP/CVBS 3-in-1
- ◆ 1080H/1080P Optional
- ◆ P2P Smart View

4CH 1080P Economical WiFi Hybrid Security DVR
NVR+AHD DVR 5000
www.mvteamcctv.com



M'TEAM

1080P AHD DVR 8CH WiFi Hybrid DVR
Full 1080P
www.mvteamcctv.com



M'TEAM

1080P AHD DVR 4CH WiFi Hybrid DVR
Full 1080P
www.mvteamcctv.com



M'TEAM

720P Outdoor Waterproof Hybrid AHD Camera with TVI CVI AHD CVBS
MVT-TAH30

To buy AHD or CVI or TVI or CVBS Cameras?

This is not a question any more!

AHD
+
CVI
+
TVI
+
CVBS

=



4-in-1 Camera! 2015 latest Technology!

4-in-1 Hybrid Waterproof 720P AHD Camera

www.mvteamcctv.com

NEW



AHD
+
CVI
=
+
TVI
+
CVBS



M'TEAM

● FEATURES

M'TEAM

Four Modes, free to change

HD resolution, 1280 X 720

Supporting IR Cut, Day Night surveillance

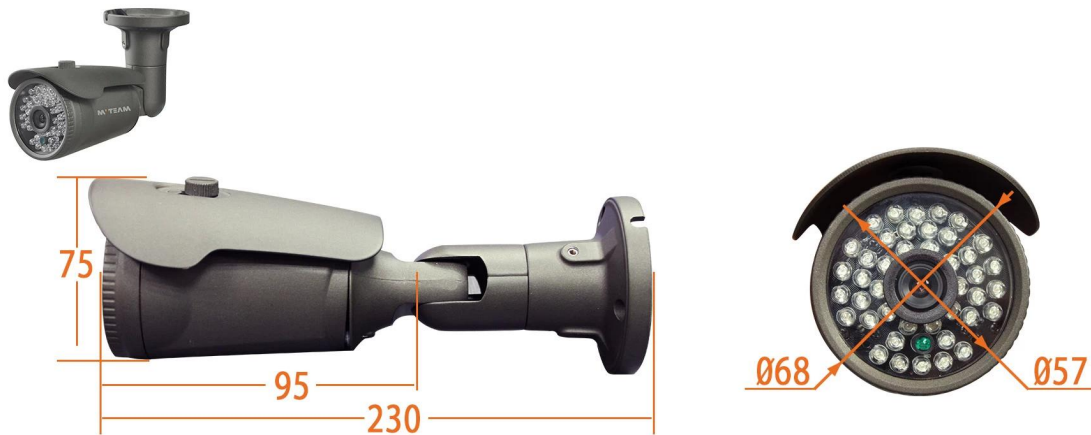
Equipment with HDI8901 ISP Processor

Low Price and multiply function

● SPECS

M'TEAM

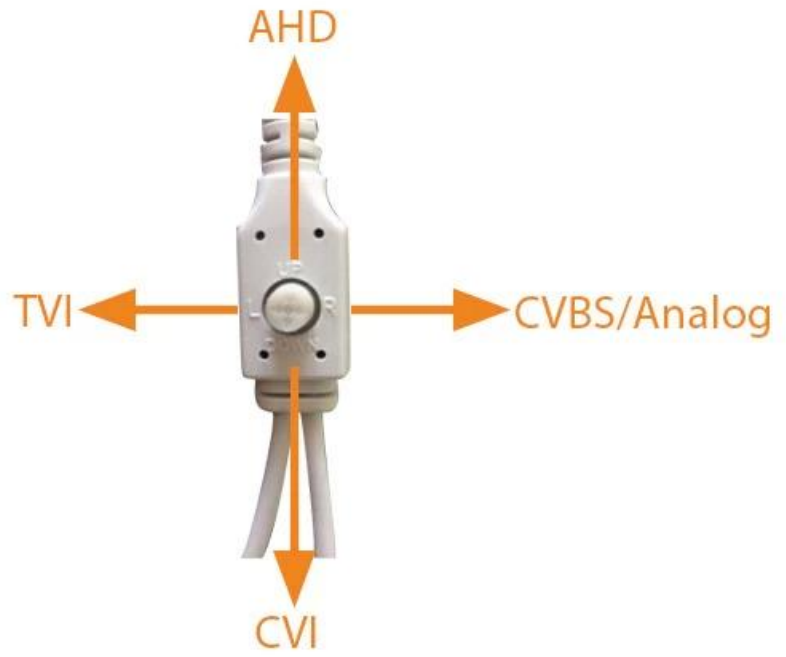
Model	MVT-TAH30		
Main Chipset	HDI8901 ISP		
Sensor	1/4" CMOS AR0141 1.0MP/720P Low Illumination		
SIGNAL	PAL / NTCS		
Lens & IR Distance	Fixed 8.0mm / IR 35m,42 IR Leds		
Video Output	1 Channel HD-TV, HD-CVI, HD- AHD , CVBS (Switch By OSD Menu)		
Effective Pixels	TVI: 1280(H)*720(V)	CVI:1280(H)*720(V)	AHD : 1280(H)*1024(V) CVBS:1000TVL
Min. Illumination	0.01Lux F1.2		
Shutter	4/25s~1/45,000s		
Synchronization	Internal		
BLC	optional		
OSD	Supported		
AWB	Automatic / manual / day / night		
Day/Night	Auto(ICR) / Color / B/W		
Transmission Distance	Over 500m via 75-3 coaxial cable		
Power Supply	DC 12V±10%		
Working Environment	30°C~+60°C/Less than 95%RH(no condensation)		
Power Consumption	4W±10%		



HD/TVI/CVI/CVBS, how to Switch?

1. By the OSD Menu, UP is **AHD**, Down is CVI, Left is TVI, Right is CVBS
2. Hold the Direction Button for FIVE Seconds to Switch

Warning: Make sure power off when Switch the second time



Hold Five Seconds When Switch

● FACTORY & OFFICE



● EXHIBITIONS



MVTEAM Advantages

1. Advanced P2P Client Software

Mobile Phone View

(All MVTEAM DVR,AHD DVR, CVI DVR, SDI DVR, NVR support



Achieve Monitoring All kinds of Cameras in One Screen Computer



Benefit

- Do not have to learn different Softwares
- Can Reduce after-sale service,save time save labor cost
- Support Smart Phone,Tablet,PC
- Android and IOS, Win7/8,Vista/XP, available

2.Flexiable ODM/OEM Service

Logo on Camera



logo on DVR



Logo turn up on Screen



3.Trade Assurance

Trade Assurance to protect your Trade business.

- *Trade us with safety, Assurance
- *Trade us with more confidence
- *Trade us with more satisfaction



For more about **AHD** Products welcome to Visit [FAQ](#)