

Electronic Motel Door Lock Bluetooth APP WiFi Access Hotel Safe Smart Lock With NFC Card Upgrade of RFID Card

M TEAM

Bluetooth Smart Door Lock with Free APP



MTEAM



M'TEAM

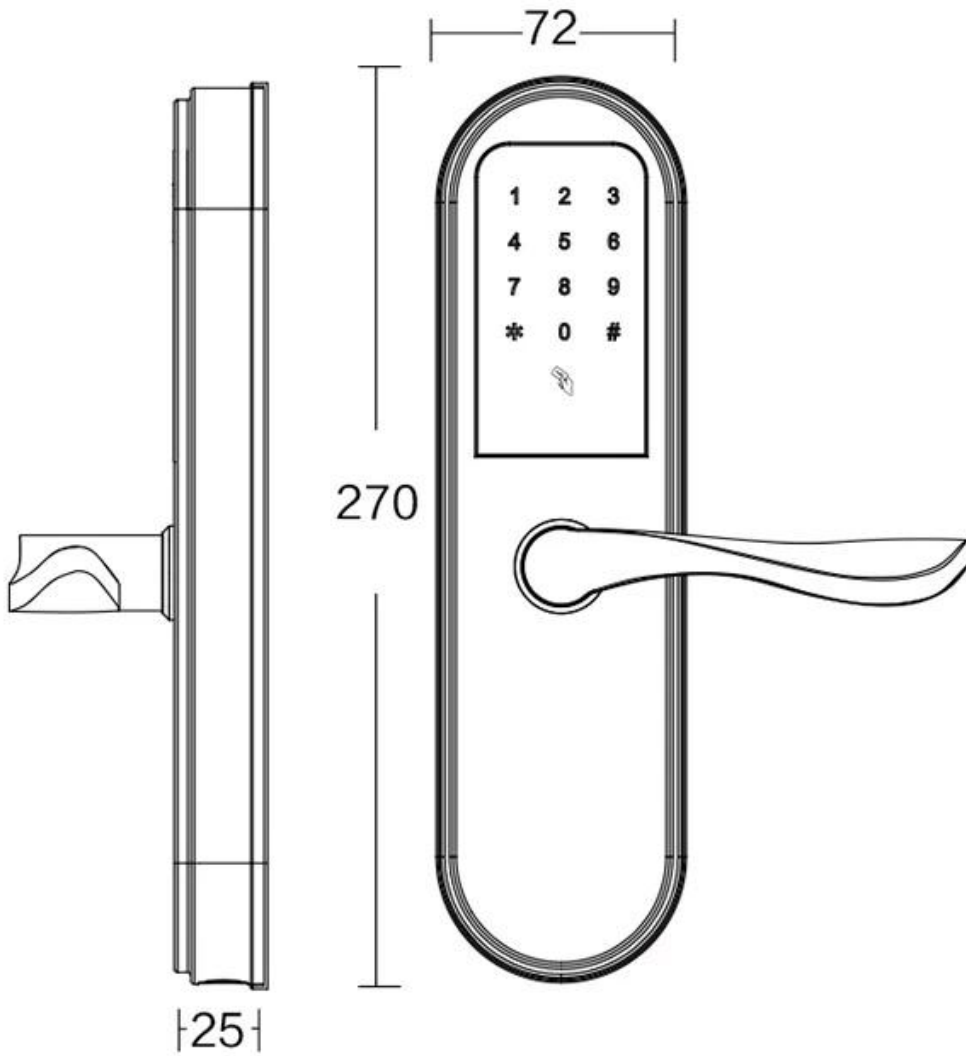


M'TEAM



M'TEAM





Remote Unlock

Jenny, I forgot the password again.



Don't worry, I'll send a new password to your mobile phone.



Features

- 1- APP remote generating password, best choice for rental house/room
- 2- Size: 300*76mm
- 3- Password capacity: 50 groups
- 4- Swipe: 200 sheets
- 5- Color: Silver, Titanium gray
- 6- Power supply mode: 4pcs AA batteries
- 7- Cylinder grade: C-level cylinder + stainless steel lock body

8- Supports APP Bluetooth one-button unlocking

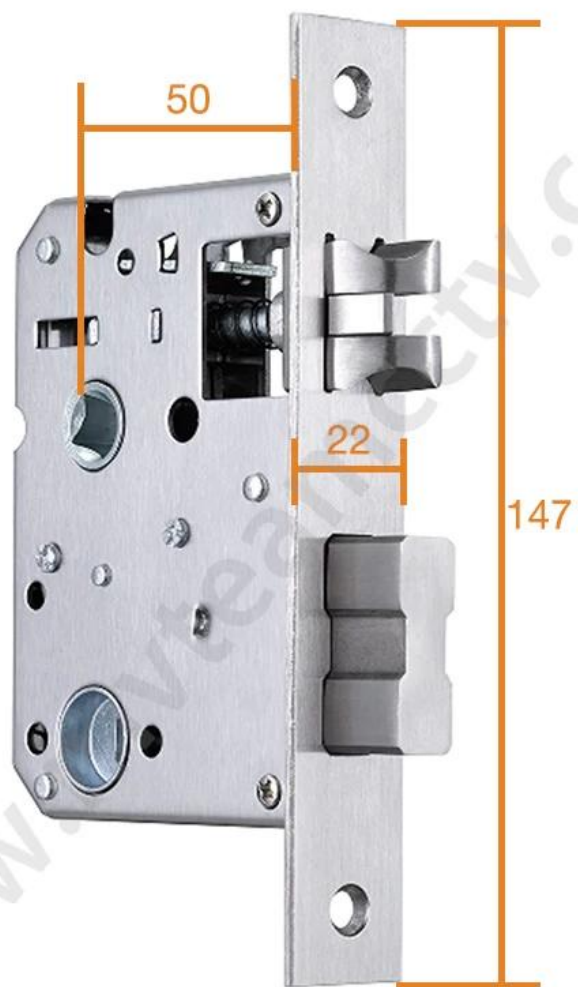
9- Support remote generating password on APP

10- Application scope: Rental house/room special. security door, wooden door, composite door, fire door

Specs

Model	C7-MKA
Panel Material	zinc alloy
Panel Size	300*76mm
Unlock	APP, Password, Card, Key
Password capacity	50 groups
Card	200 sheets
Cylinder grade	C-level blade lock core
Lock mortise Standard size	Standard 147mm*22mm
Lock mortise material	stainless steel
Power supply	4pcs AA batteries
Backup power	With backup USB port for emergency charging
Color	Silver, Titanium gray
Scope of application	Rental house/room special Security door, wooden door, composite door, fire door group

Lock Mortise Size



Unit:mm

Door Opening Direction



Left Handle



Right handle

Matters needing attention:

There are 4 door types as below drawing showing, Please let us know:

- 1.what types of the doors?
- 2.how many quantity per each type?



A

Left Handle (push)



B

Right Handle (Push)



C

Left Handle (pull)



D

Right Handle (Pull)

A: left handle push the door to enter the room.

B: left handle pull the door to enter room.

C: right handle push the door to enter the room.

D: right handle pull the door to enter the room.

Are there heaven and earth hook of the door?



How to check?

1. Touch the top edge of the door to check if there are lock holes.
2. When the door lock is in pop up status, check whether there are lock tongues pops out on the top edge of the door.

With bolt No bolt

Measurement



- A Lock side bar length
- B Lock side bar width
- C Door thickness
- D Door frame bar width
- E Door frame bar length

Please send above measurement data to us.
We will recommend the correct locks to you.

Contact us

We export the smart door locks to all over the world.

If you have any questions or inquiry about the products, welcome to [contact us](#).

We will reply you within 24 hours and quote the best wholesale prices to you.