

Smart Door Lock System Keyless Digit NFC WiFi APP Bluetooth Door Lock For Home Apart Hotel



Features

- 1- APP remote generating password, best choice for rental house/room
- 2- Size: 300*76mm
- 3- Password capacity: 50 groups
- 4- Swipe: 200 sheets
- 5- Color: Silver, Titanium gray
- 6- Power supply mode: 4pcs AA batteries
- 7- Cylinder grade: C-level cylinder + stainless steel lock body
- 8- Supports APP Bluetooth one-button unlocking
- 9- Support remote generating password on APP
- 10- Application scope: Rental house/room special. security door, wooden door, composite door, fire door

Specs

Model	C7-MKA
Panel Material	zinc alloy
Panel Size	270mm*72mm
Unlock	APP, Password, Card, Key

Password capacity	50 groups
Card	200 sheets
Cylinder grade	C-level blade lock core
Lock mortise Standard size	Standard 147mm*22mm
Lock mortise material	stainless steel
Power supply	4pcs AA batteries
Backup power	With backup USB port for emergency charging
Color	Silver, Titanium gray, Red bronze
Scope of application	Rental house/room special Security door, wooden door, composite door, fire door group

Product Pictures







Free-Style Handle
Drop-down(open)/Drop-up(lock)

USB charging interface

Hidden keyhole

Multi-Color Selection



Titanium gray



Silver



Red bronze

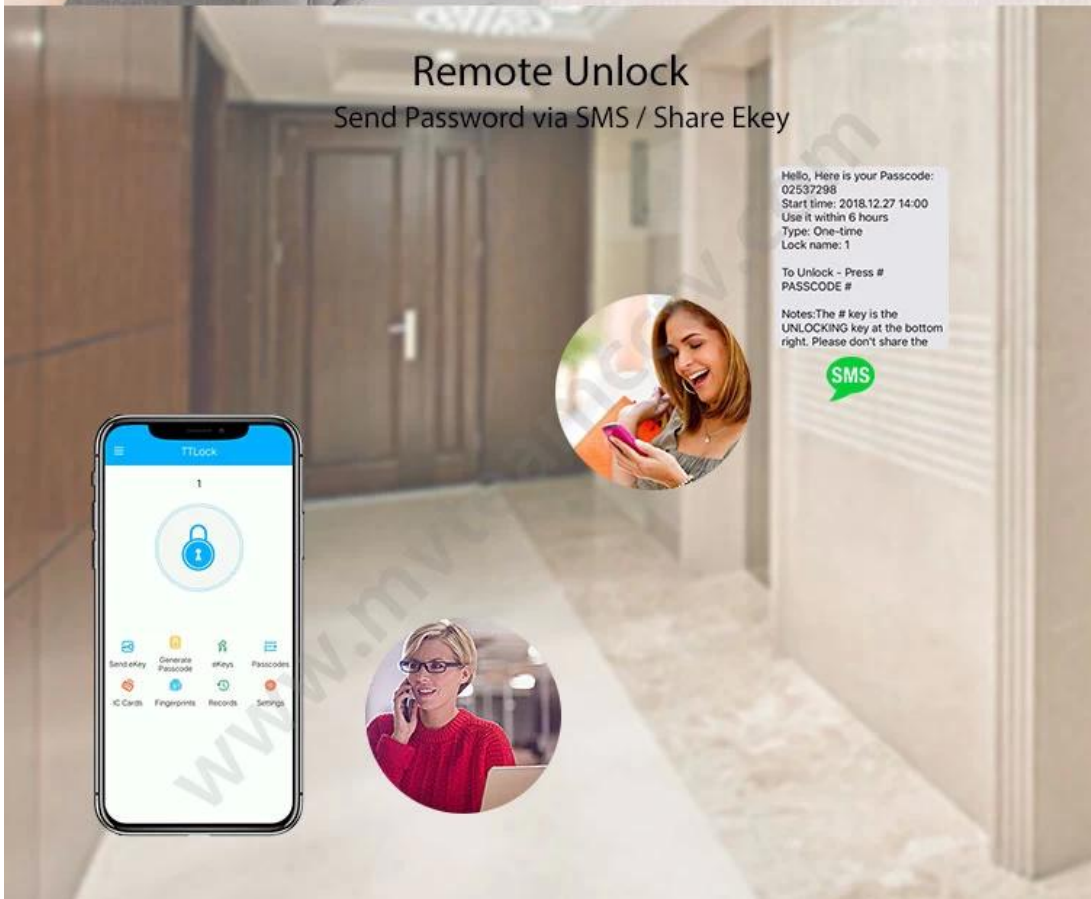
Bluetooth APP Unlock

One button unlock the door on mobile phone via bluetooth connection



Remote Unlock

Send Password via SMS / Share Ekey



WiFi APP Remote Control

Add a gateway device to connect the smart door lock to WiFi

Achieve Remote Control

- Delete/change the passcode/ekey/fingerprint/card access remotely.
- Check the update door opening records remotely.



WiFi Router



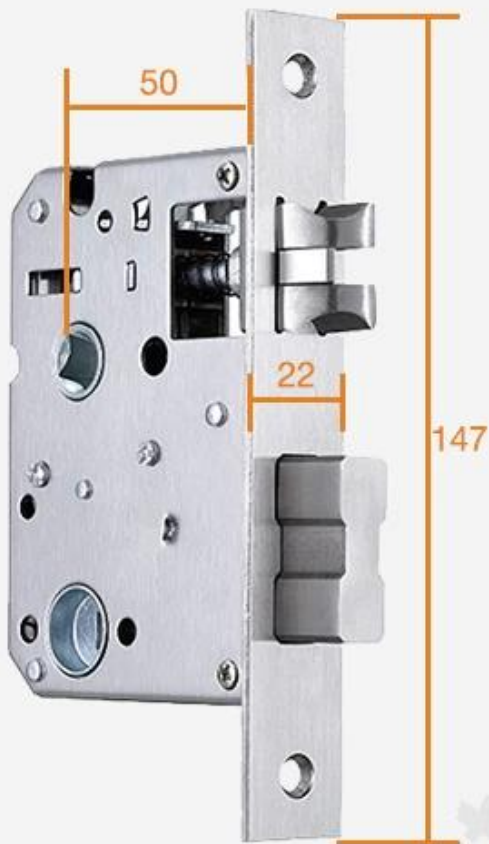
Bluetooth Door Lock



Gateway

Please note the gateway device is only fit for MVTEAM smart door locks with APP, and the cost is not included in the smart lock price. If you need it, please tell us when purchasing smart door locks, we will add it into your order.

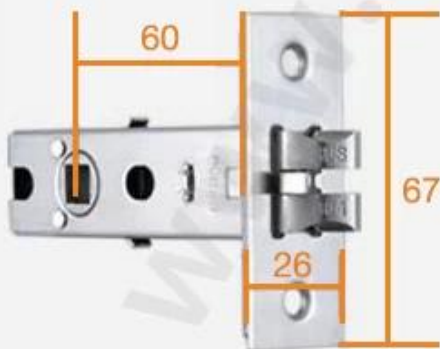
Lock Mortises



#1



#2



#3



#4

Unit: mm



Power Supply

4 x AA(5 alkaline) batteries,
6 months & 180000 times using.

USB Charge

With backup USB port for
emergency charging.



Warmly notice:

Due to international shipping problem, we will not deliver batteries come with locks.
Please buy 4 section 5-Alkaline batteries by yourself from local market.

Package & Accessories



Door Opening Direction



Left Handle



Right handle

Matters needing attention:

There are 4 door types as below drawing showing, Please let us know:

- 1.what types of the doors?
- 2.how many quantity per each type?



A

Left Handle (push)



B

Right Handle (Push)



C

Left Handle (pull)



D

Right Handle (Pull)

A: left handle push the door to enter the room.

B: left handle pull the door to enter room.

C: right handle push the door to enter the room.

D: right handle pull the door to enter the room.

Are there heaven and earth hook of the door?



How to check?

1. Touch the top edge of the door to check if there are lock holes.
2. When the door lock is in pop up status, check whether there are lock tongues pops out on the top edge of the door.

With bolt No bolt

Measurement



- A Lock side bar length
- B Lock side bar width
- C Door thickness
- D Door frame bar width
- E Door frame bar length

Please send above measurement data to us.
We will recommend the correct locks to you.

Contact us

We export the smart door locks to all over the world.

If you have any questions or inquiry about the products, welcome to [contact us](#).

We will reply you within 24 hours and quote the best wholesale prices to you.